

# Integrated Power Management System for Autonomous Energy Systems with AC Generator, Battery Storage and AC Loads



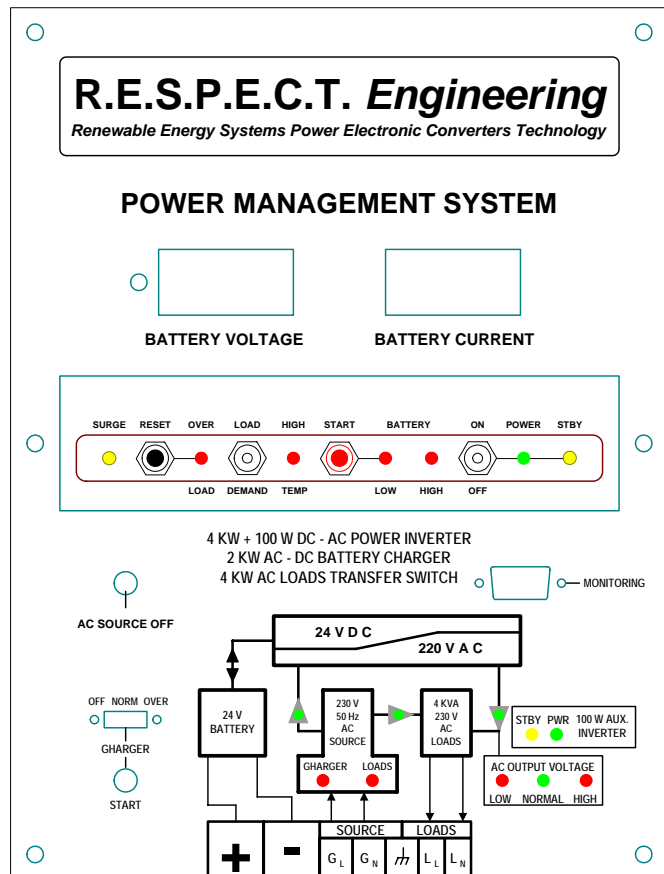
- Maximum efficiency
- Increased reliability
- Excellent output power quality
- Modular construction and reduced cost
- Easy installation and operation
- RS 232 communication

*Custom made – Build to order according to the application*

- 12 V, 24 V and 48 V DC nominal Battery Voltage
- 2,7 – 3,6 – 4,5 KVA Output Power, with Soft Start
- Up to 15 KVA Surgeability
- Pure, or Modified 220 V rms – 50 Hz Sine wave
- Low No-Load Losses
- High Quality Power Transformer
- Auxiliary 100 W Inverter
- Low stand-by Losses with Load Demand Start
- Up to 75 Amps DC – AC Battery Charger with Booster
- Up to 32 Amps AC Loads Transfer Switch
- AC Generator Automatic Start – Stop

User Friendly Display and Control Panel with:

- Energy Flow Mimic Diagram
- Panel Meters
- Protected Control Switches
- Status, Fault and Fuse Indicators



- Inverter protection against High Battery, Over Heating, Overload and Short Circuit
- Battery protection against Deep Discharge and Excessive Overcharging
- Loads protection against Under-Voltage and Over-Voltage
- Charger protection against Over-Current

**R.E.S.P.E.C.T. Engineering**

Renewable Energy Systems Power Electronic Converters Technology

Mobile: 697 7035607

Email: respect@otenet.gr

77, 28<sup>th</sup> October st.  
26223 Patras - GREECE  
Phone: +30 2610 431862

Kourtaki 21200 Argos  
Phone / Fax:  
+30 27510 6291